

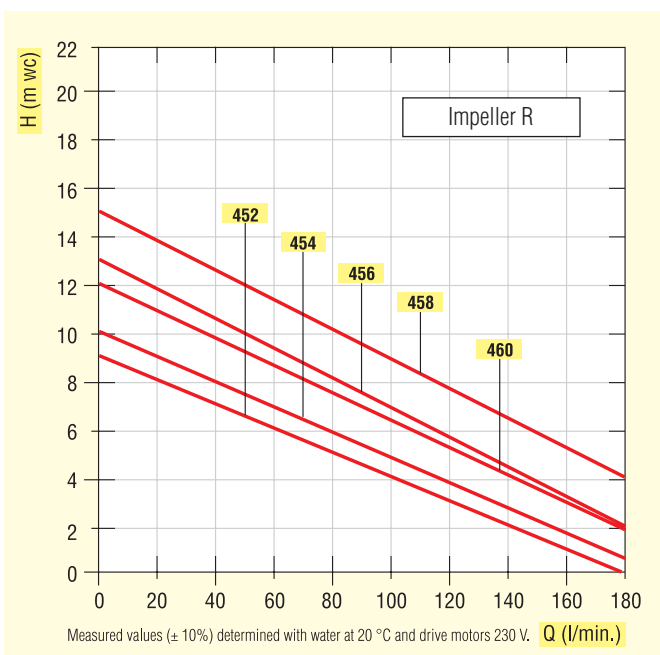
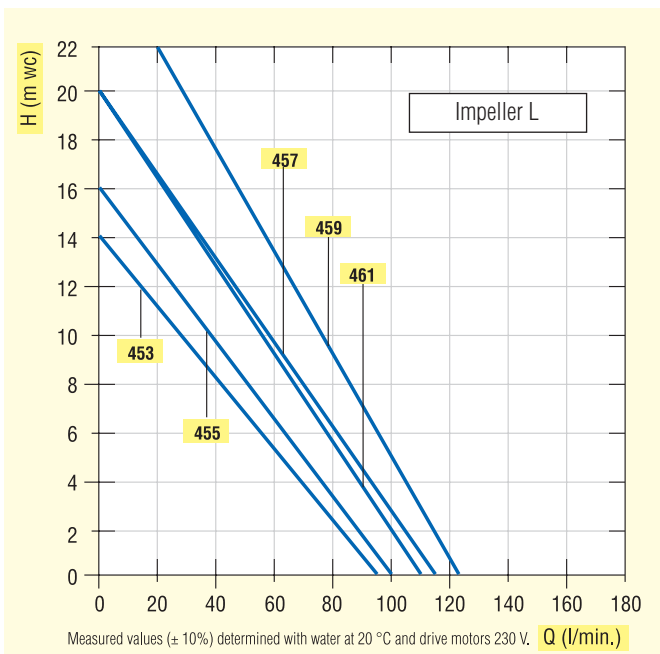
# Pump Tube SS (stainless steel)

for highly inflammable liquids

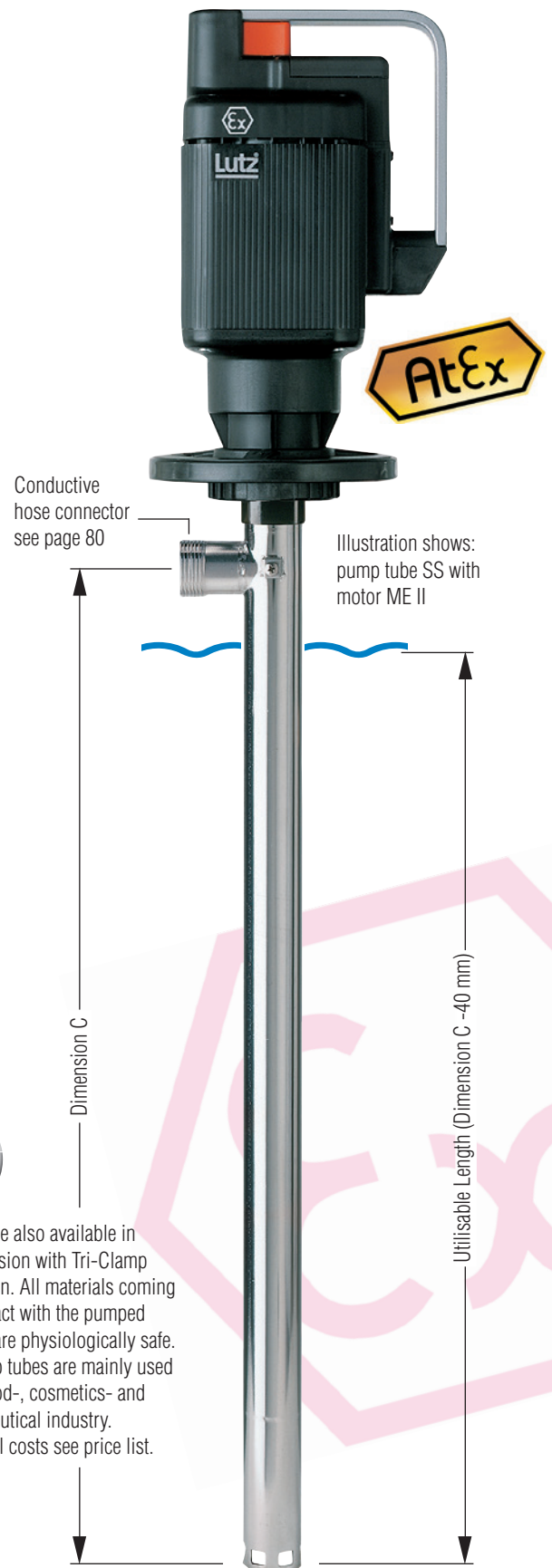
## Materials (coming into contact with the pumped medium):

Version:	SL	MS	MS PURE
Housing:	SS (1.4571)	SS (1.4571)	SS (1.4571)
Impeller:	ETFE	ETFE	ETFE
Seals:	none	Viton®	Viton®, EPDM
Mechanical seals:	none	Carbon, Ceramic, Viton®, Stainless steel	Carbon, Ceramic, Viton®, EPDM, Stainless steel
Bearing:	Pure Carbon	Pure Carbon	Pure Carbon
Drive shaft:	SS (1.4571)	SS (1.4571)	SS (1.4571)

Viton® is a registered trademark of DuPont Performance Elastomers.



Please remember that the flow rate is reduced as the **viscosity** increases. The **density** of the pumped liquid similarly affects the flow rate, though to a lesser extent.



Pump tube also available in PURE version with Tri-Clamp connection. All materials coming into contact with the pumped medium are physiologically safe. The pump tubes are mainly used in the food-, cosmetics- and pharmaceutical industry. Additional costs see price list.



Suitable range of accessories see pages 76-92